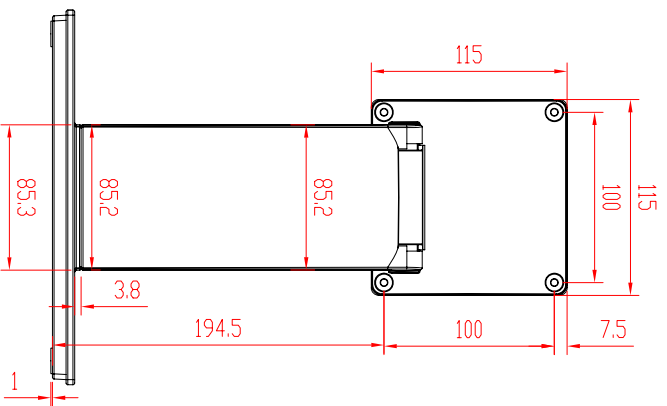
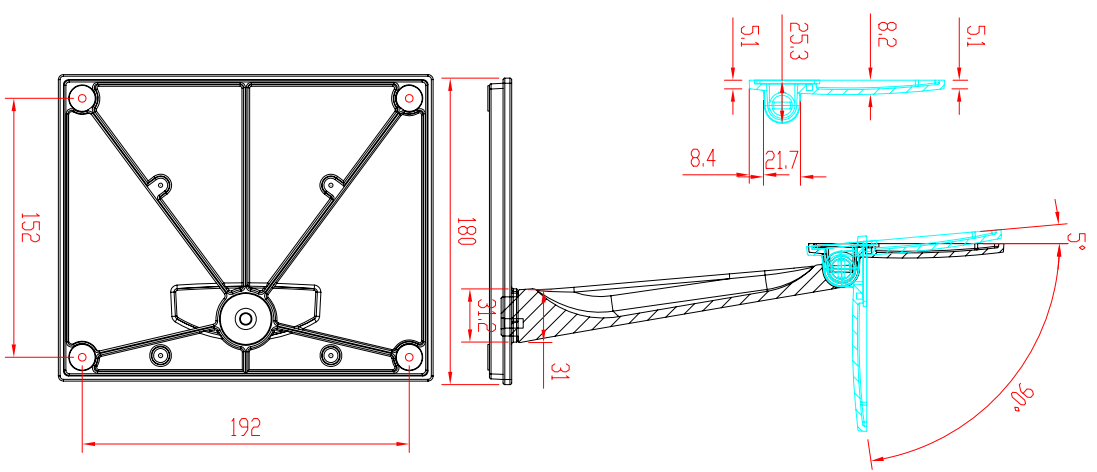
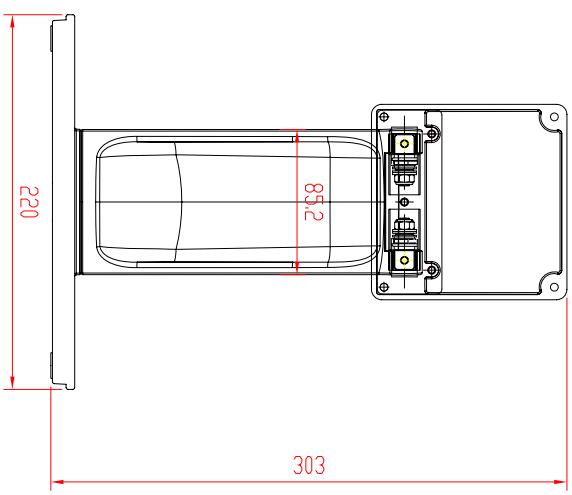


REVISION	ECO NO.	DESCRIPTION	DATE	DESIGN	CHECK	APPROVAL



SCALE	DATE	SCALE	DATE	SCALE	DATE	SCALE	DATE	SCALE	DATE

Aspect
 Aspect Design Technology Inc.
 MODEL: K0815/17
 DRAW DATE: 2017