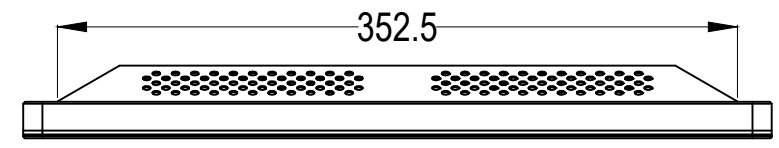
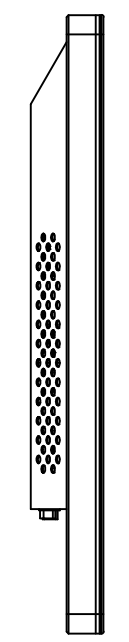


# TITLE: OTL175-RZ03-SUCD

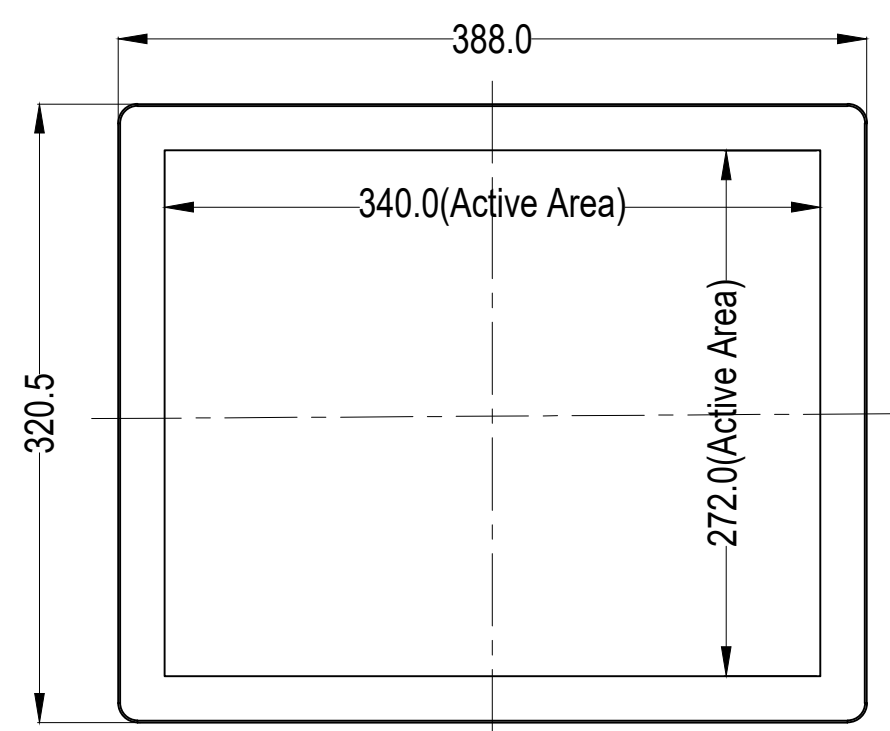
MARK	REVISED CONTENTS	DATE	SIGNATURE
△			
△			
△			



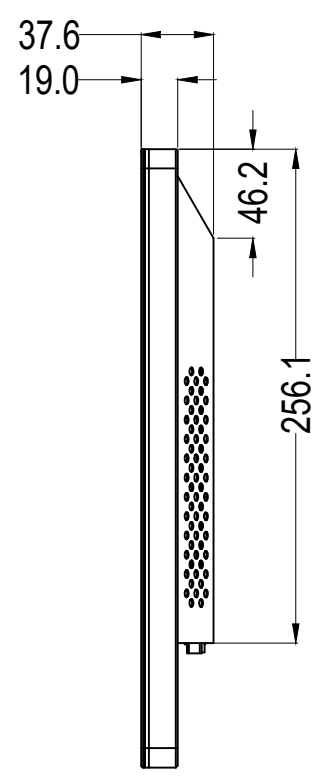
Top View



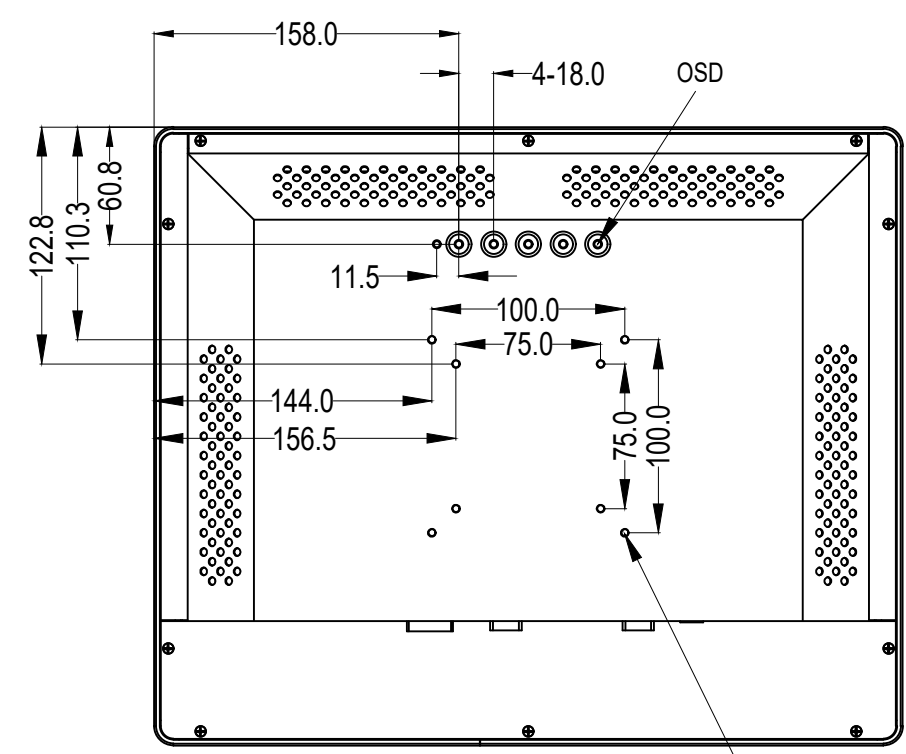
Side View



Front View

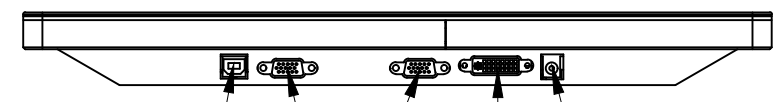


Side View



VESA MOUNT

M4 THREAD  
MAX:SCREW DEPTH=5mm  
X8



USB SERIAL VGA DVI DC/12V POWER  
Bottom View

ALL DIMENSIONS ARE IN MILLIMETERS

<b>GENERAL Touch</b>		GeneralTouch Co.,Ltd.			
SPEC or MATERIAL REMARK	External Dimensions	388*320.5*37.6	Anti-Glare	Y <input type="checkbox"/> N <input checked="" type="checkbox"/>	DESIGNER:
UNIT	DATE	Active Area	DustPro	Y <input type="checkbox"/> N <input checked="" type="checkbox"/>	WangZhengHua
mm	20200220	Glass Thickness			
Projection:		Silk Print Color			
		Mounting	Vesa <input checked="" type="checkbox"/>	Bracket <input type="checkbox"/>	CHECKED:
SHEET 1 OF 1		NOTES			DuanWenBin
RVE: 1.1	SCALE: 1:1	TOUCH TECHNOLOGY	P-CAP	SAW	APPROVED:
Tolerance: ±1.0mm			IR/PIT	RESISTIVE	ZhouBoLin
			Non-Touch		