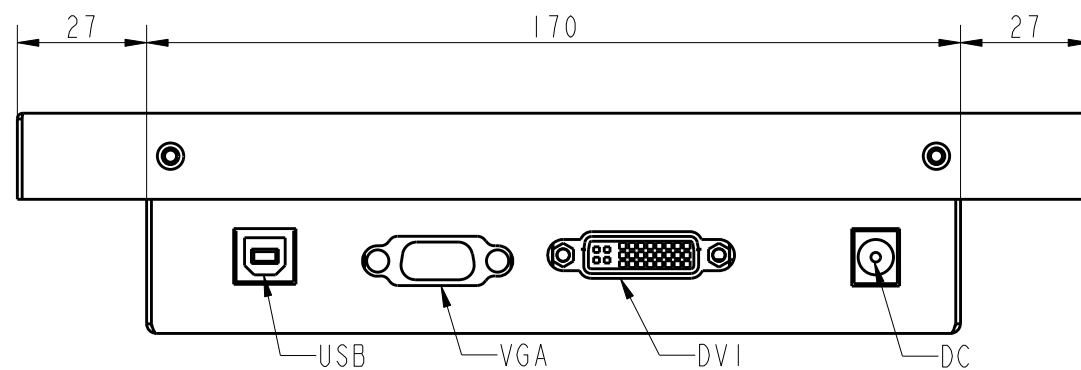
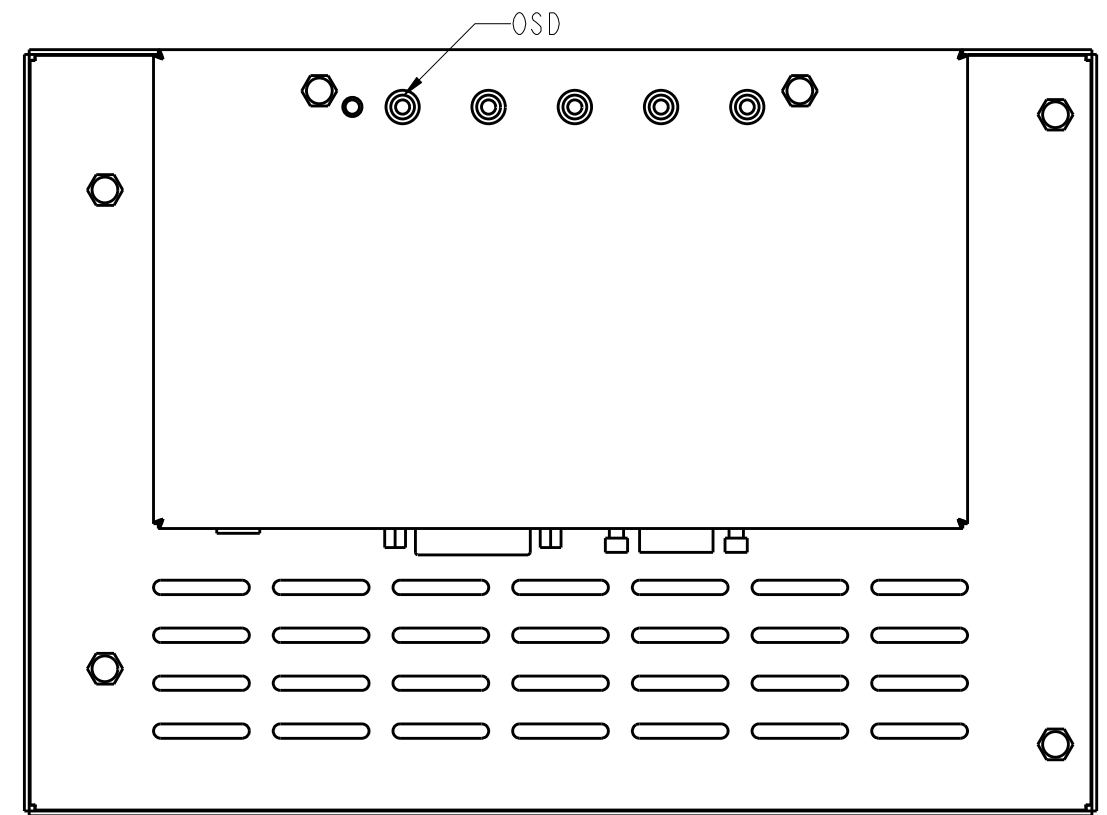
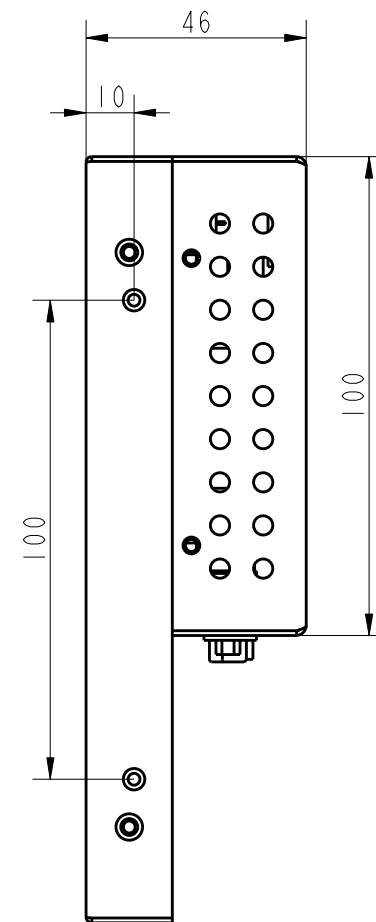
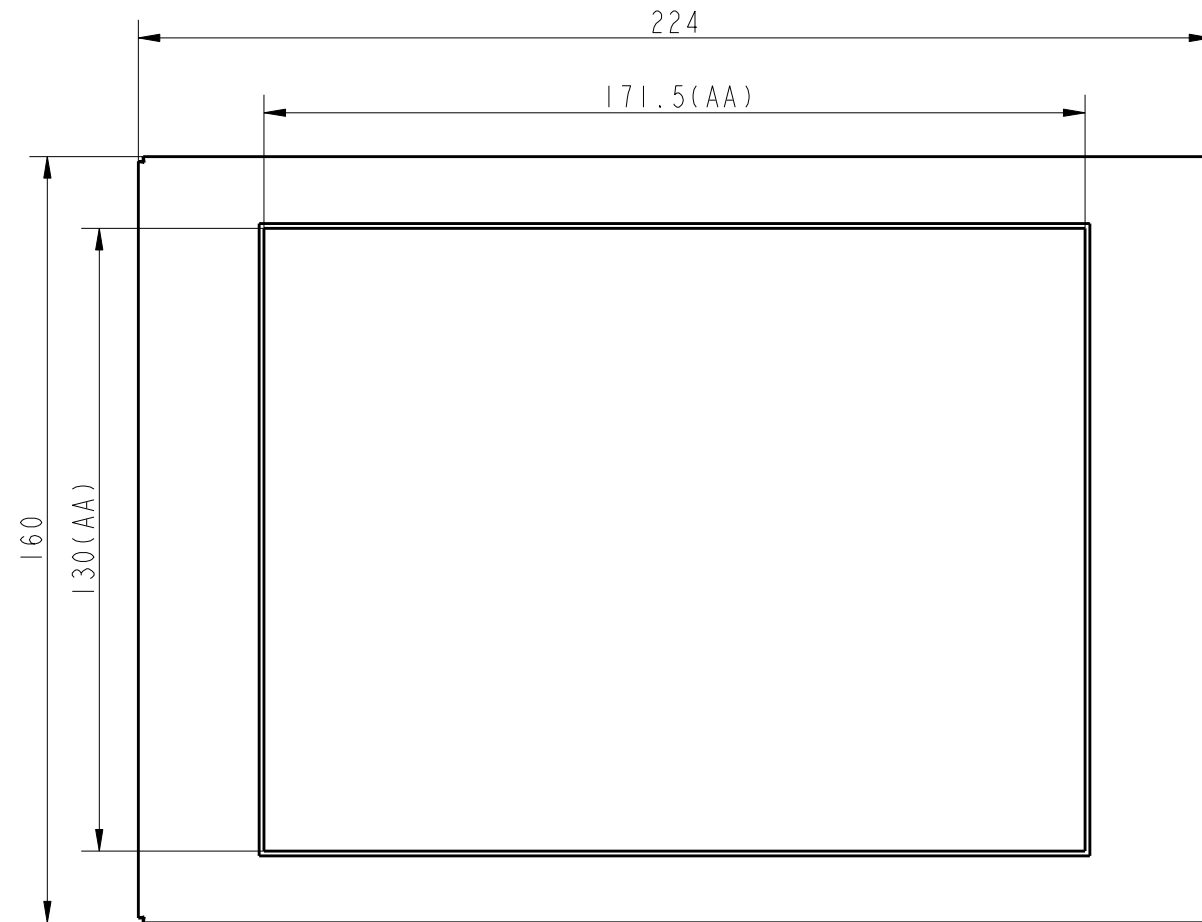


PART NO.:602084011

MODEL:15OTL-N084DGI-R

MARK	REVISED CONTENTS	DATE	SIGNATURE
1			



ALL DIMENSIONS ARE IN MILLIMETERS

		PromptControl Technology co.,Ltd					
						SPEC or MATERIAL REMARK	
UNIT	DATE	Active Area	171.5*130	DustPro	Y <input type="checkbox"/> N <input checked="" type="checkbox"/>	JASON	
mm	2020.2.27	Glass Thickness	2.1MM	AR	Y <input type="checkbox"/> N <input checked="" type="checkbox"/>	CHECKED:	
Projection:		Silk Print Color		UV	Y <input type="checkbox"/> N <input checked="" type="checkbox"/>	JACK	
SHEET 1 OF 1		Mounting	Vesa <input type="checkbox"/> Bracket <input type="checkbox"/>		APPOVED:		
RVE:V1.0	SCALE:2:3	NOTES			JACK		
Tolerance:±1.0mm		TOUCH TECHNOLOGY	P-CAP		SAW		
			IR		RESISTIVE	√	
			Non-Touch				