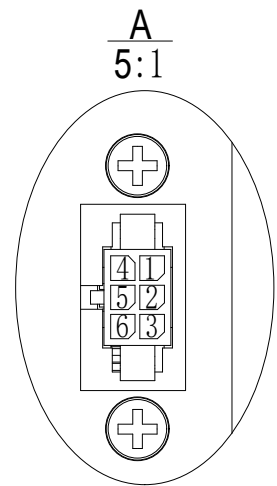
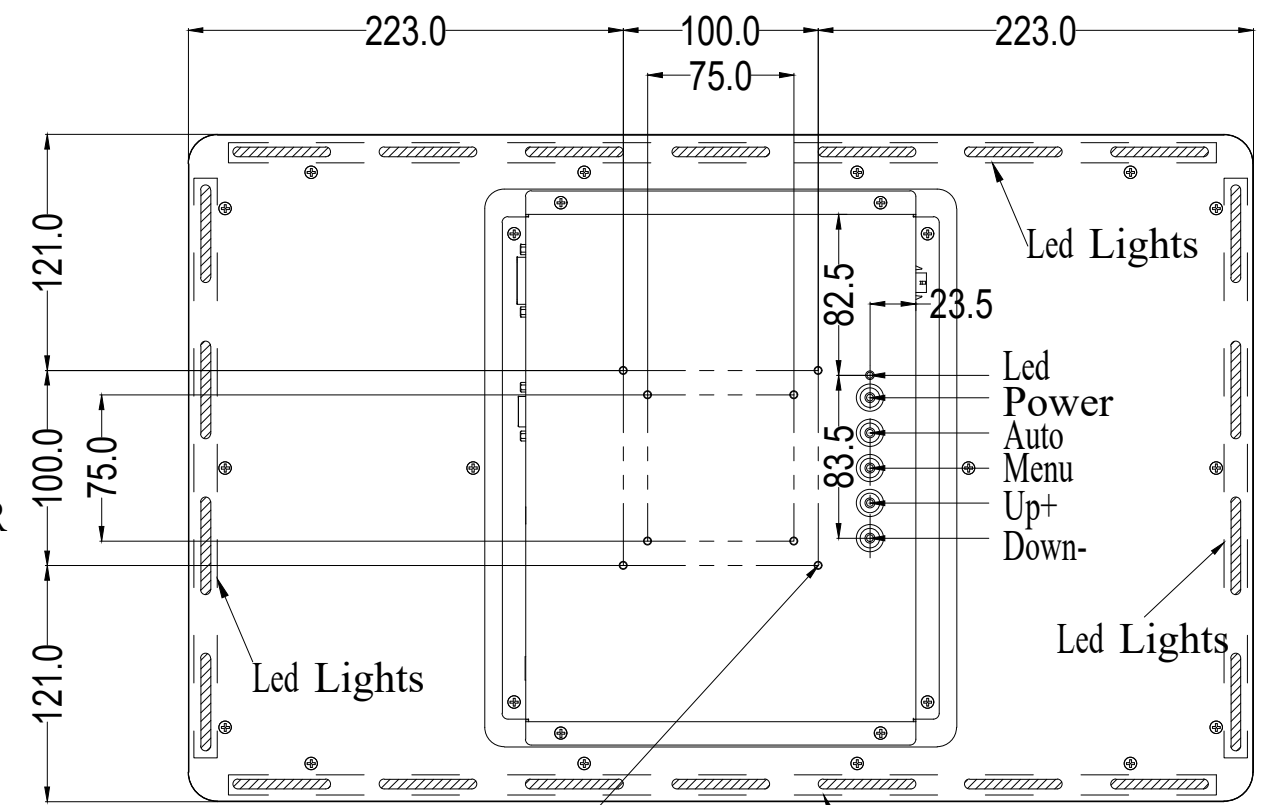
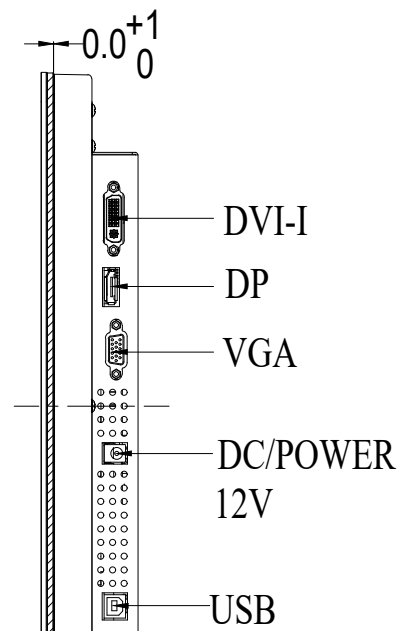
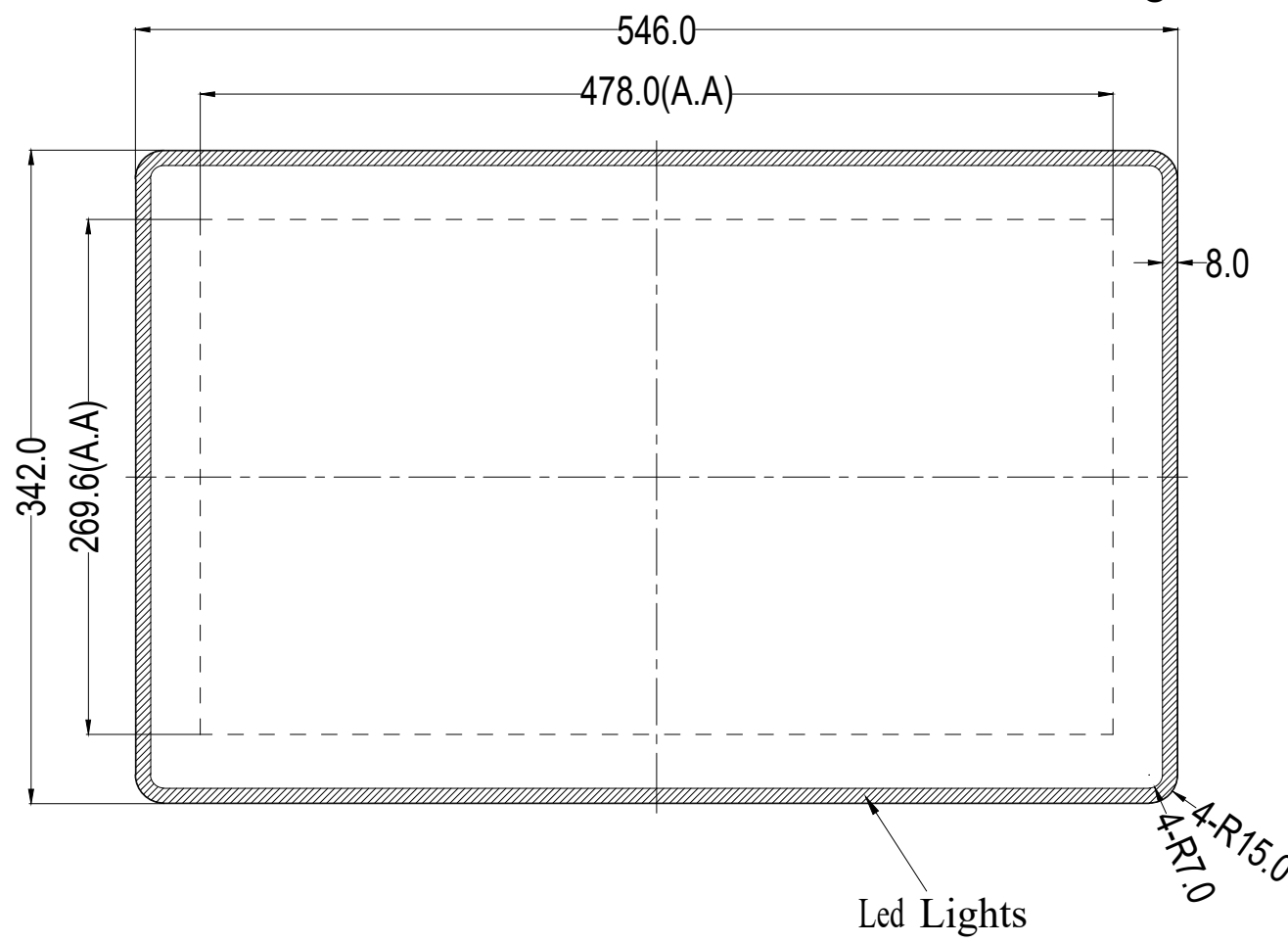
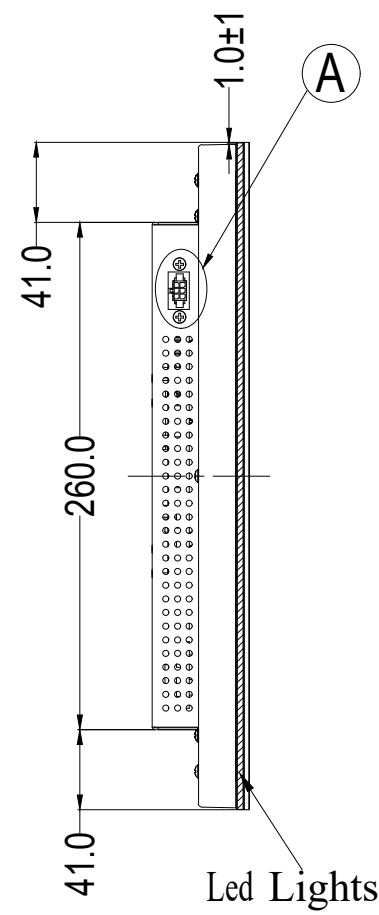
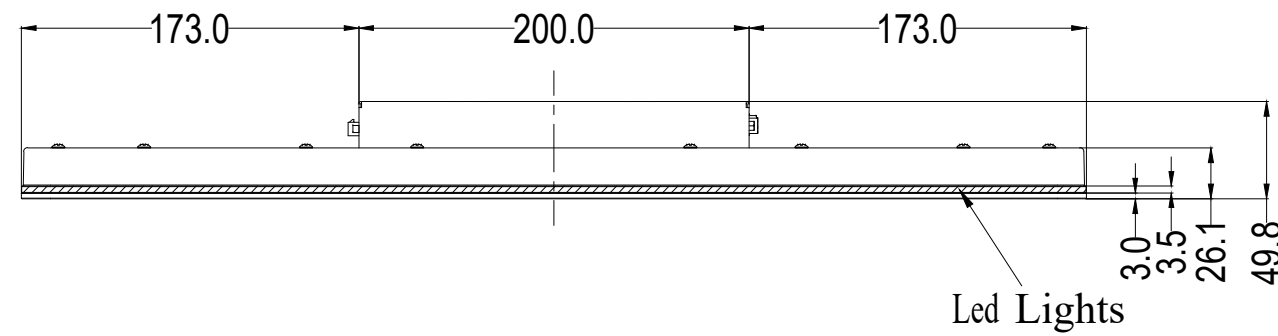


Title: OTL227-RC5000-UP2F50-1.0

Mark	Revised Contents	Signature
△		



#6:5v #5:DI #4:GND
 #3:5V #2:DO #1:GND



M4 Threads, X8
 Max Screw Depth=6mm
 From Mounting Surface

ALL DIMENSIONS ARE IN MILLIMETERS

GENERAL Touch		GeneralTouch Co., Ltd.			
Specification	External Dimensions	546*342*49.80	Anti-Glare	<input type="checkbox"/> Y <input checked="" type="checkbox"/> N	DESIGNER: Han Jin
Unit	Date	478*269.6	DustProof	<input type="checkbox"/> Y <input checked="" type="checkbox"/> N	
mm	2021/01/04	Glass Thickness	3		Checked By:
Projection:		Silk Print Color			Wang Zhenghua
		Mounting	VESA <input checked="" type="checkbox"/>	Bracket <input type="checkbox"/>	Approved By:
Sheet 1 of 1		Notes			Zhou Bolin
VER: 0.2	Scale: 1:1	Touch Technology	P-CAP	<input checked="" type="checkbox"/> SAW	
Tolerance: ±1.0mm			IR/PIT	Resistive	
			Non-Touch		