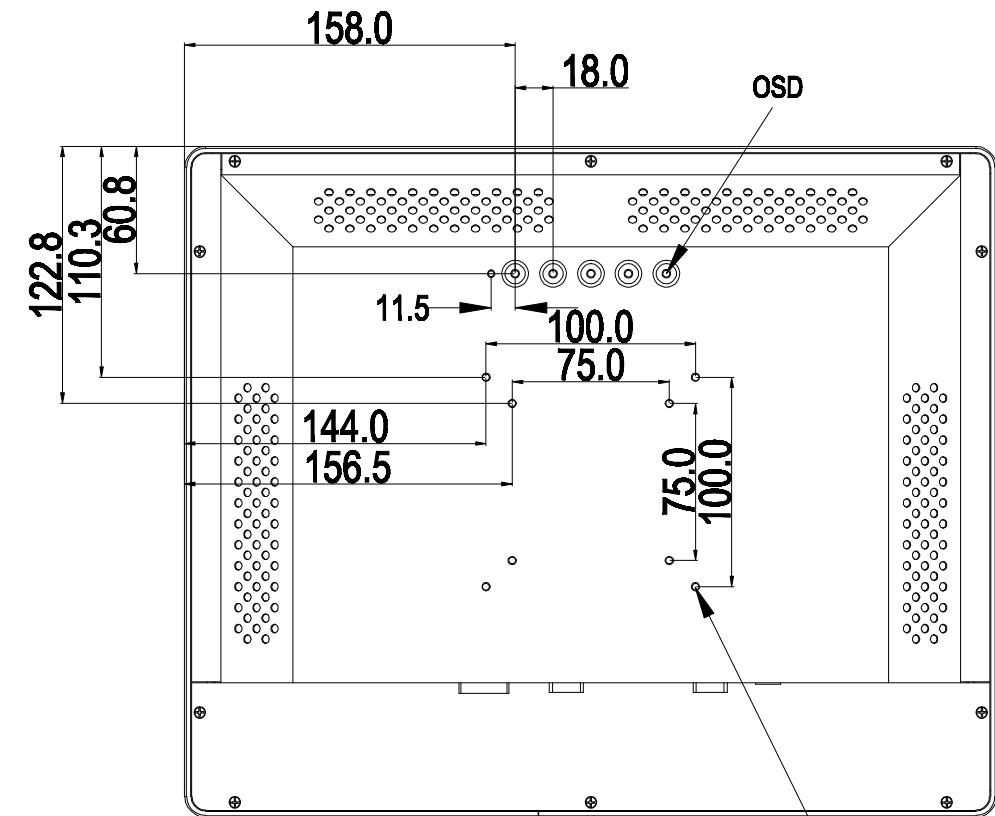
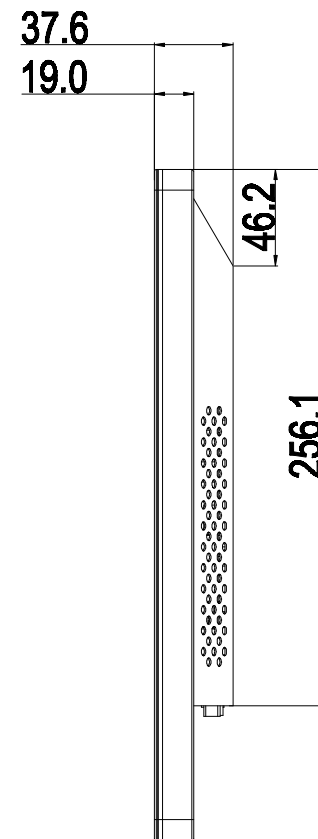
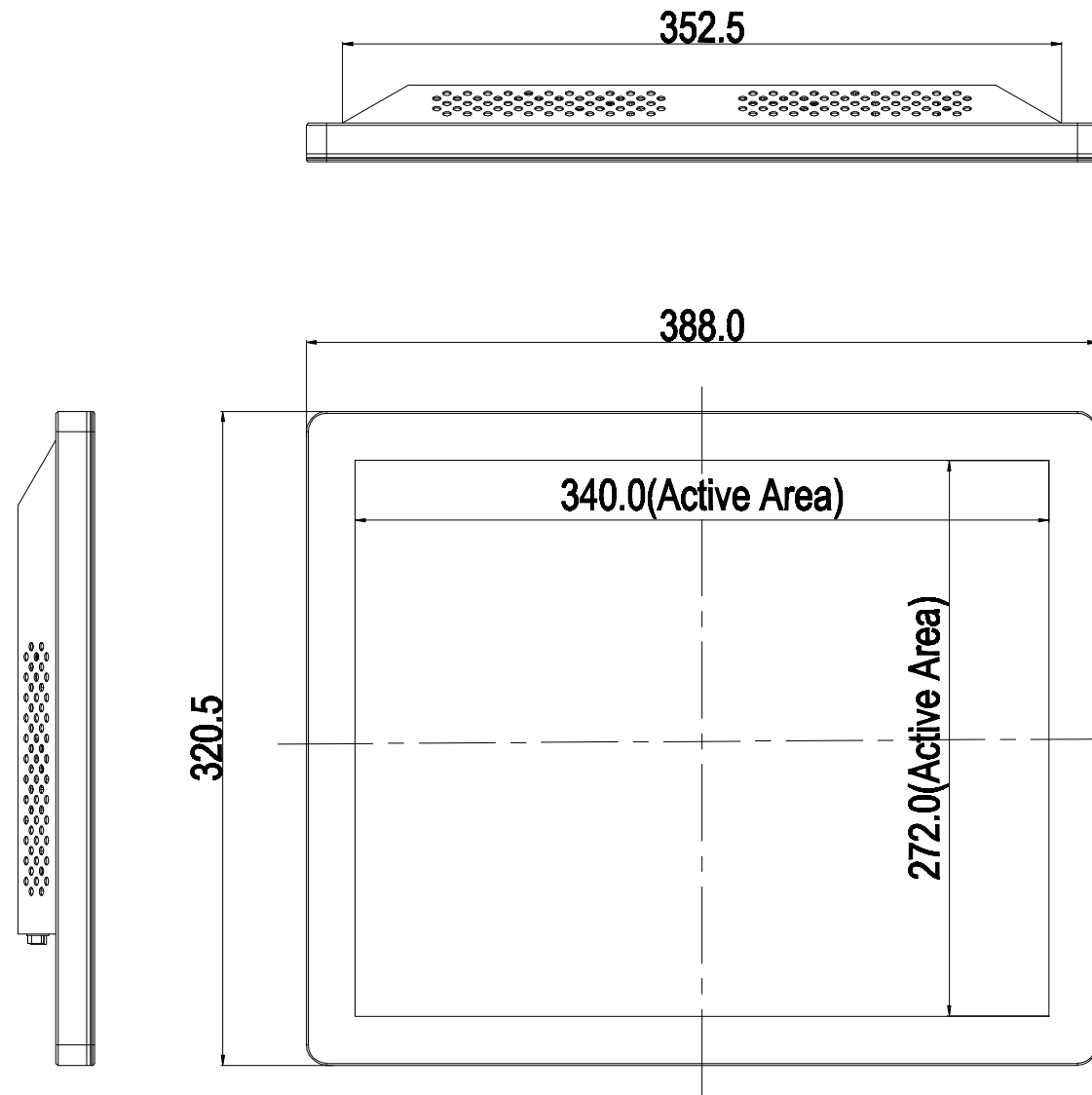
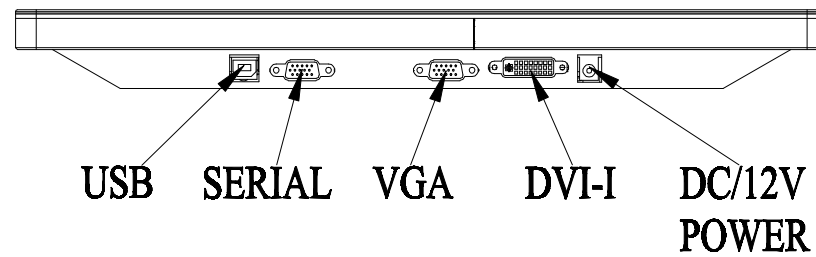


# Title: OTL175-LRZ03-SUCD-1224

Mark	Revised Contents	Signature
△		



M4 THREAD  
MAX:SCREW DEPTH=5mm  
X8



ALL DIMENSIONS ARE IN MILLIMETERS

GENERAL Touch		GeneralTouch Co., Ltd.			
Specification	External Dimensions	388*320.5*37.6	Anti-Glare	Y <input type="checkbox"/> N <input checked="" type="checkbox"/>	Designer: Wang Zhenghua
Unit	Date	Active Area	DustProof	Y <input type="checkbox"/> N <input checked="" type="checkbox"/>	
mm	2020/07/28	Glass Thickness			Checked By: Duan Wenbin
Projection:		Silk Print Color	/		
Sheet 1 of 1		Mounting	VESA <input checked="" type="checkbox"/> Bracket <input type="checkbox"/>		Approved By: Zhou Bolin
VER: 0.1	Scale: 1:1	Notes			
Tolerance: ±1.0mm		Touch Technology	P-CAP	SAW <input checked="" type="checkbox"/>	
			IR/PIT	Resistive	
			Non-Touch		