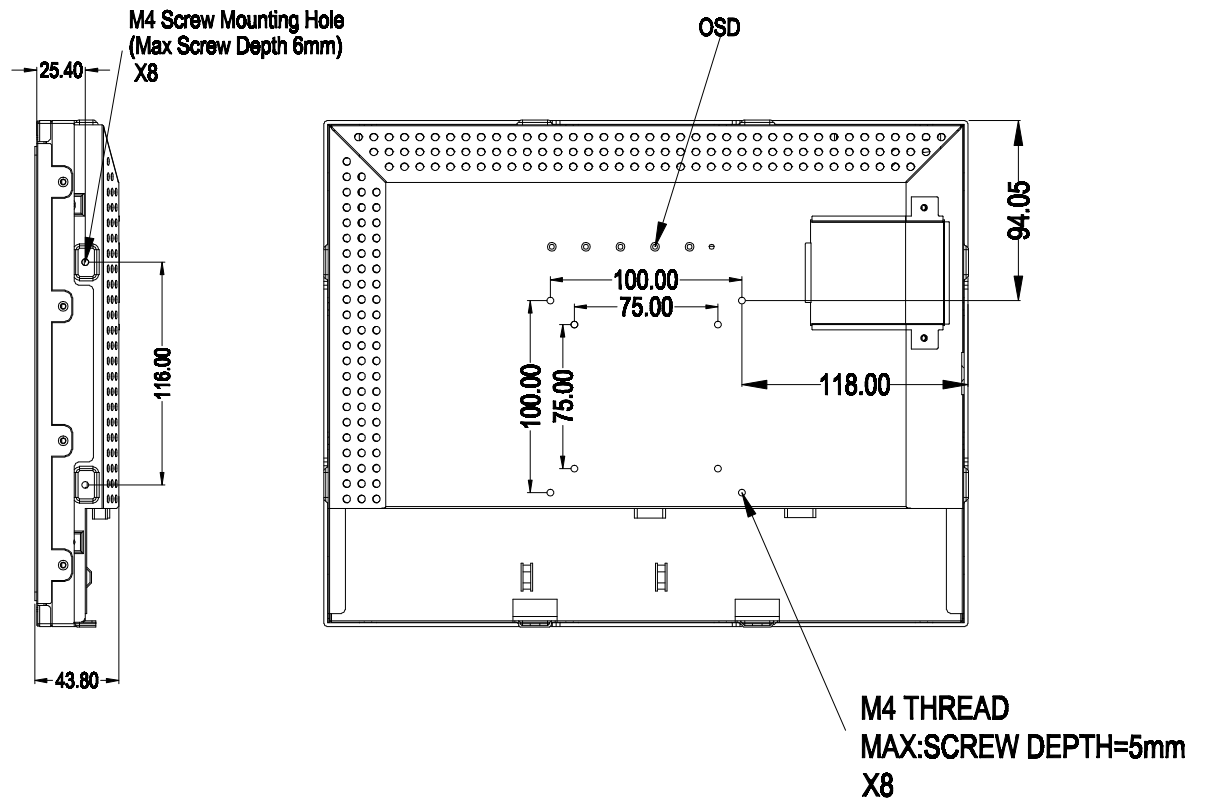
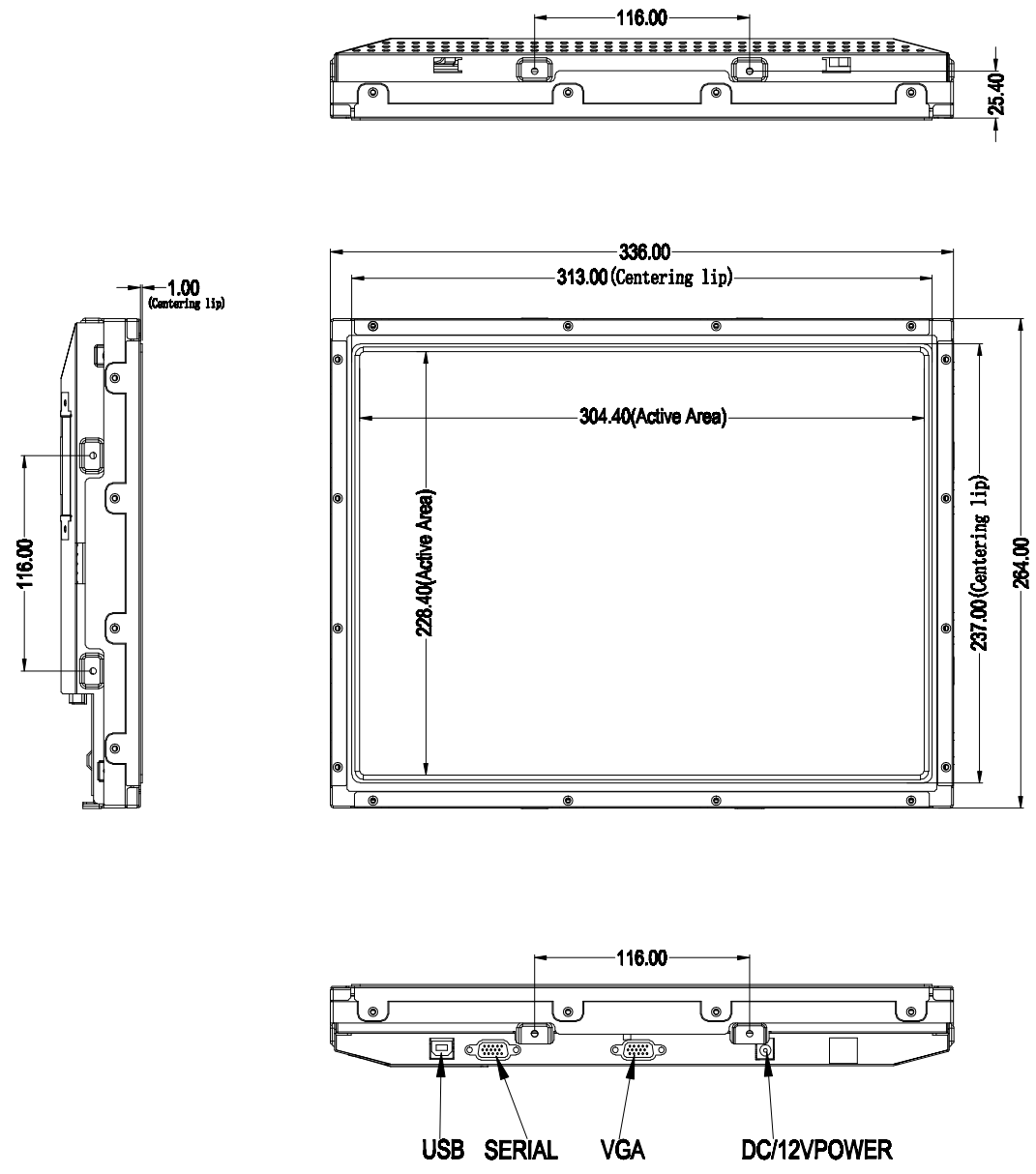


TITLE: RTL153-R06-SUD

| MARK | REVISED CONTENTS | DATE | SIGNATURE |
|------|------------------|------|-----------|
| △ | | | |
| △ | | | |
| △ | | | |

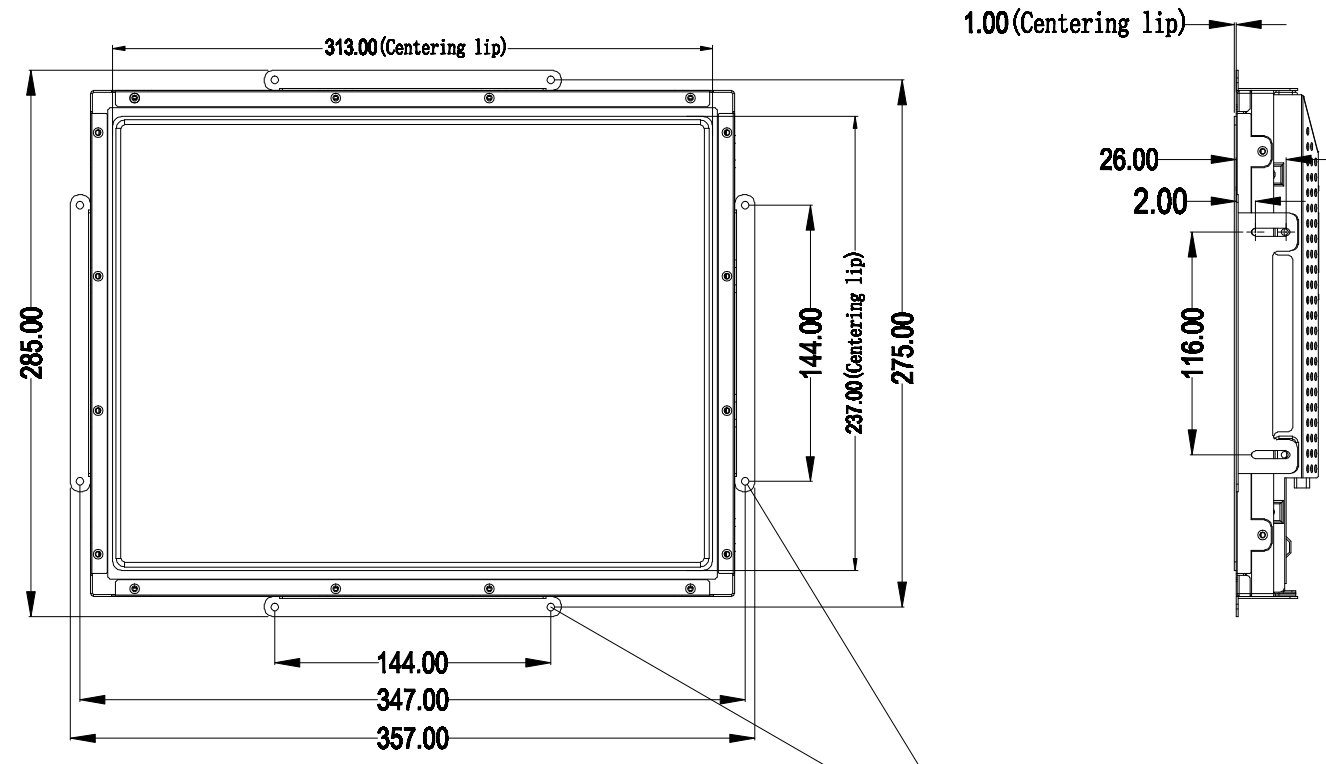


ALL DIMENSIONS ARE IN MILLIMETERS

| GENERAL Touch | | GeneralTouch Co.,Ltd. | | | |
|-------------------------|---------------------|-----------------------|---|--|--------------|
| SPEC or MATERIAL REMARK | External Dimensions | 336*264*43.8 | Anti-Glare | Y <input type="checkbox"/> N <input checked="" type="checkbox"/> | DESIGNER: |
| UNIT | DATE | Active Area | DustPro | Y <input checked="" type="checkbox"/> N <input type="checkbox"/> | WangZhengHua |
| mm | 2019/07/29 | Glass Thickness | | | |
| Projection: | | Silk Print Color | | | |
| | | Mounting | Vesa <input checked="" type="checkbox"/> Bracket <input type="checkbox"/> | | CHECKED: |
| SHEET 1 OF 2 | | NOTES | | | DuanWenBin |
| RVE: 1.3 | SCALE: 1:1 | TOUCH TECHNOLOGY | P-CAP | SAW | APPROVED: |
| Tolerance: ±1.0mm | | | IR/PIT | RESISTIVE | ZhouBoLin |
| | | | Non-Touch | | |

TITLE: RTL153-R06-SUD

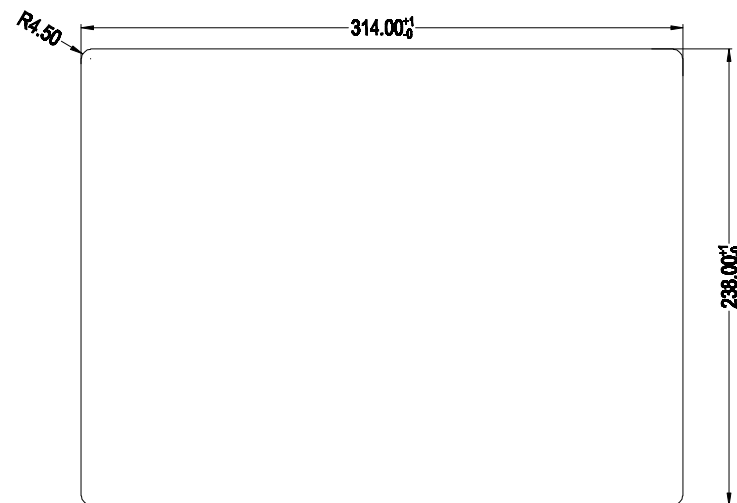
| MARK | REVISED CONTENTS | DATE | SIGNATURE |
|------|------------------|------|-----------|
| △ | | | |
| △ | | | |
| △ | | | |



CUSTOMER PANEL MATERIAL:
 1. WOOD: Ø4.5 HOLES THRU FOR M4 SCREWS W/NUTS OR NO THRU HOLES SCREWS FOR WOOD Ø4MM;
 2. SHEET METAL CONCEALED HEAD THREADED STODS M4 W/NUTS.

BACK VIEW WITH BRACKETS

Only one pair of brackets will be provided as default configuration and shipped as accessories but not assembled on the monitor. You can confirm the assembly location according to your application. If more brackets are needed, please contact our sales before placing the order.



ALL DIMENSIONS ARE IN MILLIMETERS

| GENERAL Touch | | GeneralTouch Co.,Ltd. | | | |
|-------------------------|---------------------|-----------------------|---|--|--------------|
| SPEC or MATERIAL REMARK | External Dimensions | 357*285*43.8 | Anti-Glare | Y <input type="checkbox"/> N <input checked="" type="checkbox"/> | DESIGNER: |
| UNIT | DATE | Active Area | DustPro | Y <input checked="" type="checkbox"/> N <input type="checkbox"/> | WangZhengHua |
| mm | 2019/07/29 | Glass Thickness | | | |
| Projection: | | Silk Print Color | | | |
| | | Mounting | Vesa <input type="checkbox"/> Bracket <input checked="" type="checkbox"/> | | CHECKED: |
| SHEET 2 OF 2 | | NOTES | | | DuanWenBin |
| RVE: 1.3 | SCALE: 1:1 | TOUCH TECHNOLOGY | P-CAP | SAW | APPROVED: |
| Tolerance: ±1.0mm | | | IR/PIT | RESISTIVE | ZhouBoLin |
| | | | Non-Touch | | |