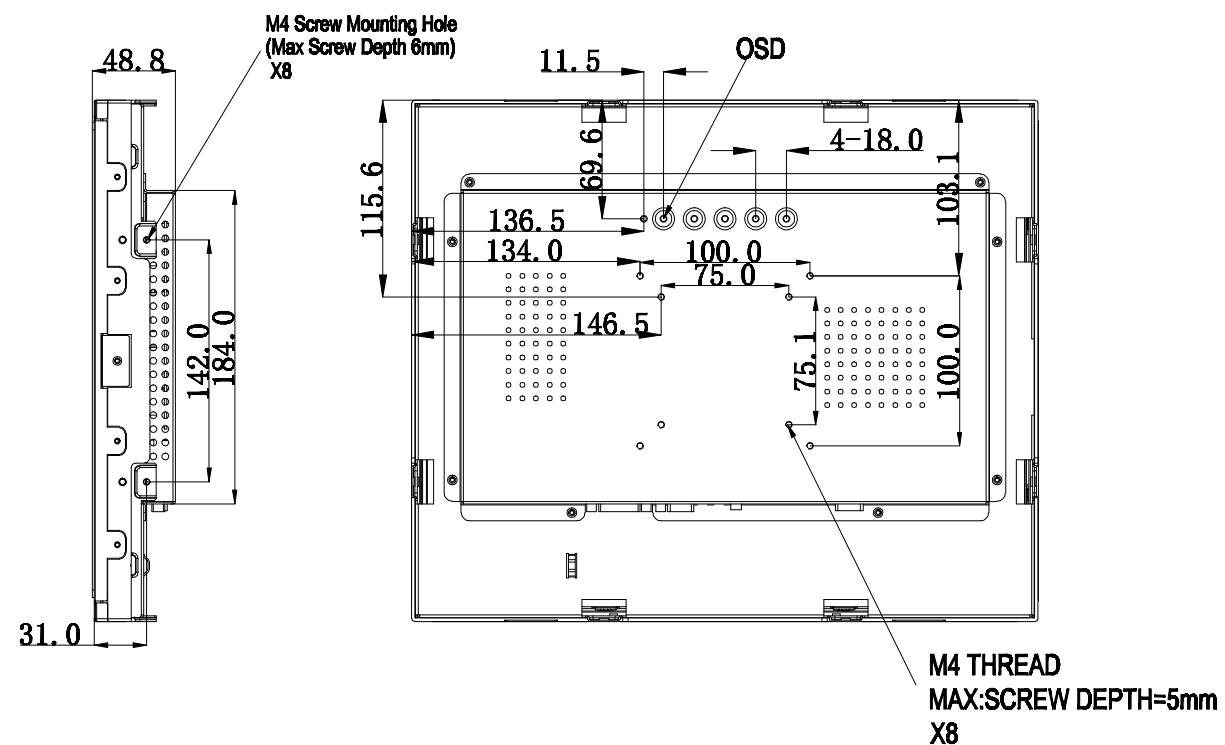
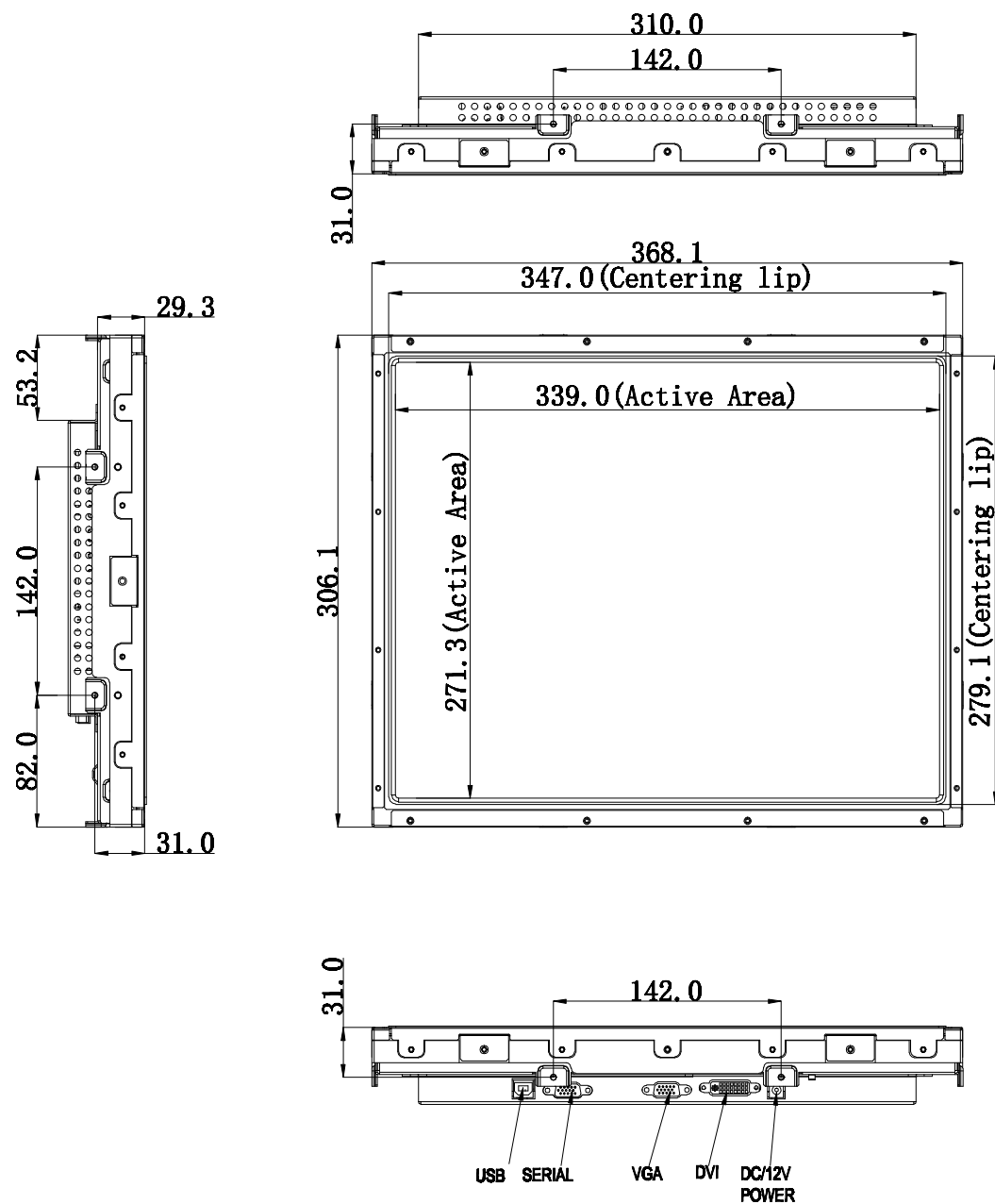


TITLE: RTL173-R04-SUCD

MARK	REVISED CONTENTS	DATE	SIGNATURE
△			
△			
△			

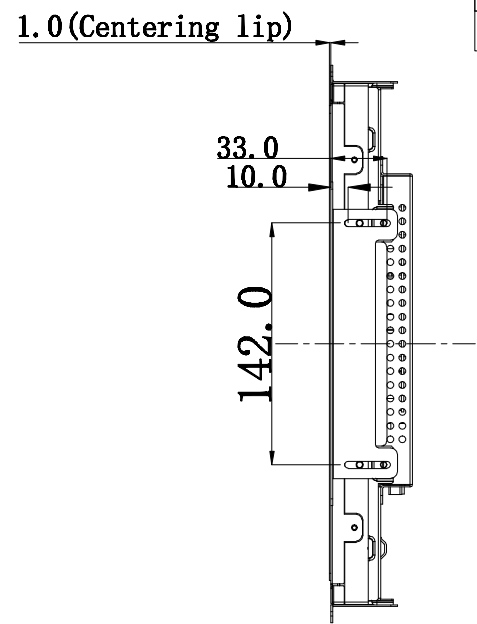
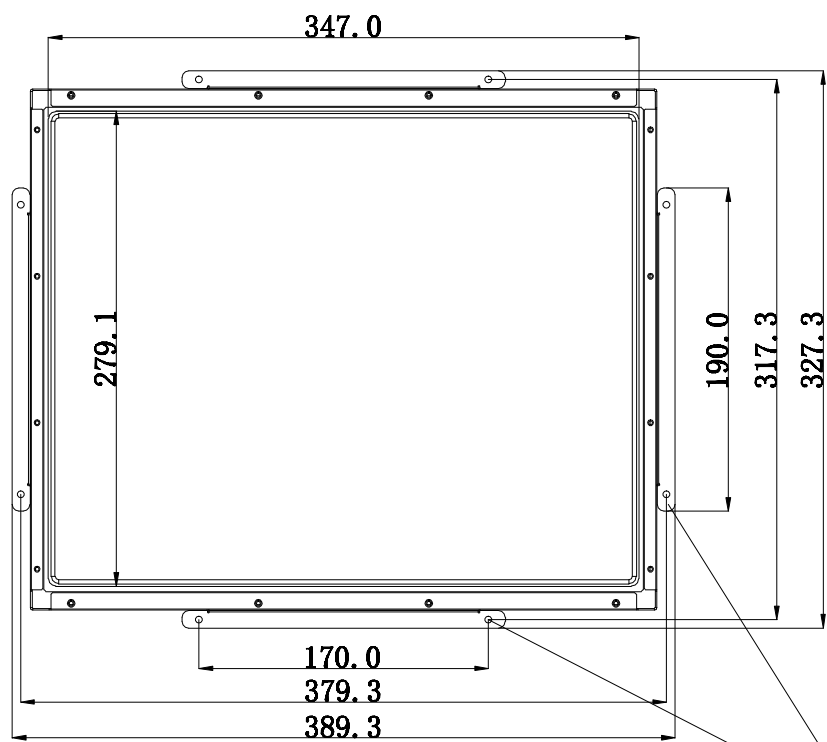


ALL DIMENSIONS ARE IN MILLIMETERS

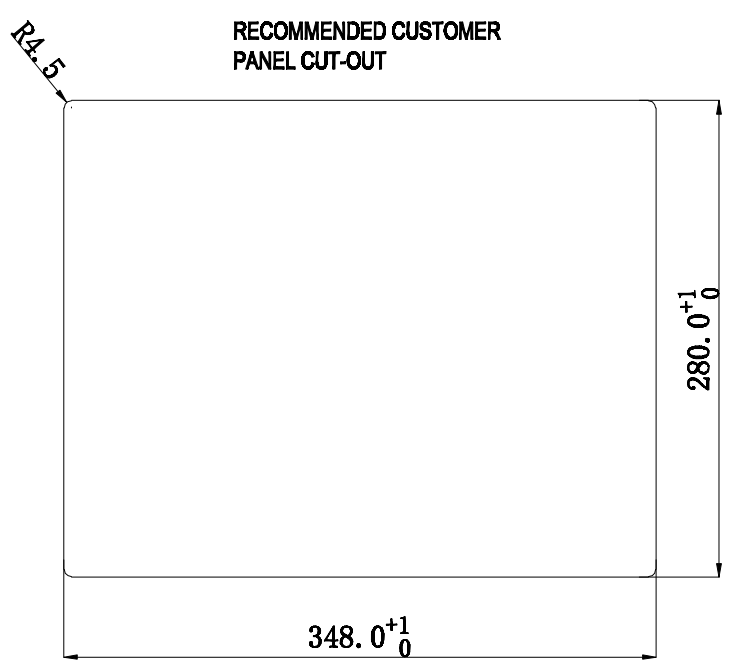
GENERAL Touch		GeneralTouch Co.,Ltd.			
SPEC or MATERIAL REMARK	External Dimensions	368.1*306.1*48.8	Anti-Glare	Y <input type="checkbox"/> N <input checked="" type="checkbox"/>	DESIGNER:
UNIT	DATE	Active Area	DustPro	Y <input checked="" type="checkbox"/> N <input type="checkbox"/>	WangZhengHua
mm	2020/03/17	Glass Thickness			
Projection:		Silk Print Color			CHECKED:
		Mounting	Vesa <input checked="" type="checkbox"/> Bracket <input type="checkbox"/>		DuanWenBin
SHEET 1 OF 2		NOTES			
RVE: 1.1	SCALE: 1:1	TOUCH TECHNOLOGY	P-CAP	SAW	APPROVED:
Tolerance: ±1.0mm			IR/PIT	RESISTIVE	ZhouBoLin
			Non-Touch		

TITLE: RTL173-R04-SUCD

MARK	REVISED CONTENTS	DATE	SIGNATURE
△			
△			
△			



CUSTOMER PANEL MATERIAL:
 1. WOOD: Ø4.5 HOLES THRU FOR M4 SCREWS W/NUTS OR NO THRU HOLES SCREWS FOR WOOD Ø4MM;
 2. SHEET METAL CONCEALED HEAD THREADED STODS M4 W/NUTS.



Only one pair of brackets will be provided as default configuration and shipped as accessories but not assembled on the monitor. You can confirm the assembly location according to your application. If more brackets are needed, please contact our sales before placing the order.

ALL DIMENSIONS ARE IN MILLIMETERS

GENERAL Touch		GeneralTouch Co.,Ltd.			
SPEC or MATERIAL REMARK	External Dimensions	389.3*327.3*48.8	Anti-Glare	Y <input type="checkbox"/> N <input checked="" type="checkbox"/>	DESIGNER:
UNIT	DATE	Active Area	DustPro	Y <input checked="" type="checkbox"/> N <input type="checkbox"/>	WangZhengHua
mm	2020/03/17	Glass Thickness			
Projection:		Silk Print Color	Mounting	Vesa <input type="checkbox"/> Bracket <input checked="" type="checkbox"/>	CHECKED:
					DuanWenBin
SHEET 2 OF 2		NOTES			
RVE: 1.1	SCALE: 1:1	TOUCH TECHNOLOGY	P-CAP	SAW	APPROVED:
			IR/PIT	RESISTIVE	ZhouBoLin
Tolerance: ±1.0mm			Non-Touch		