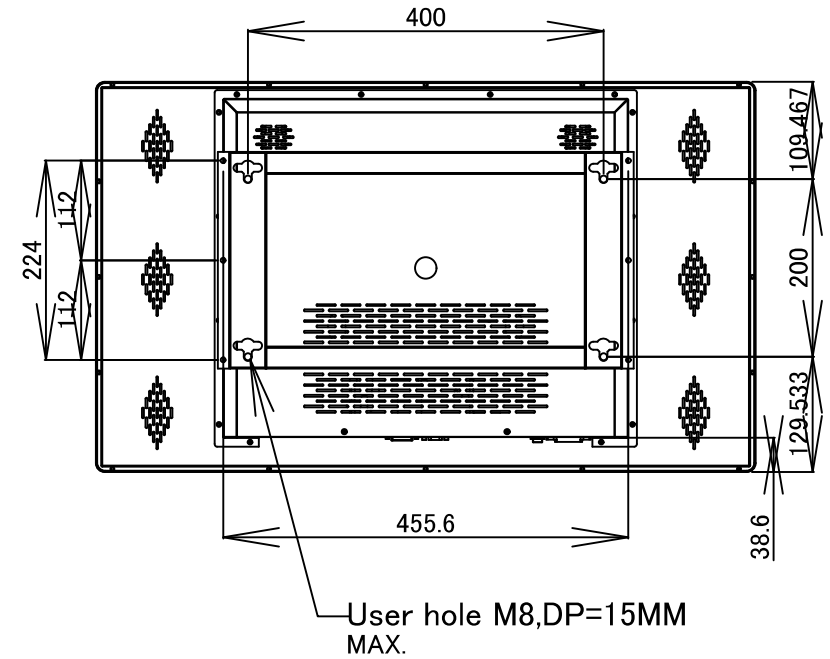
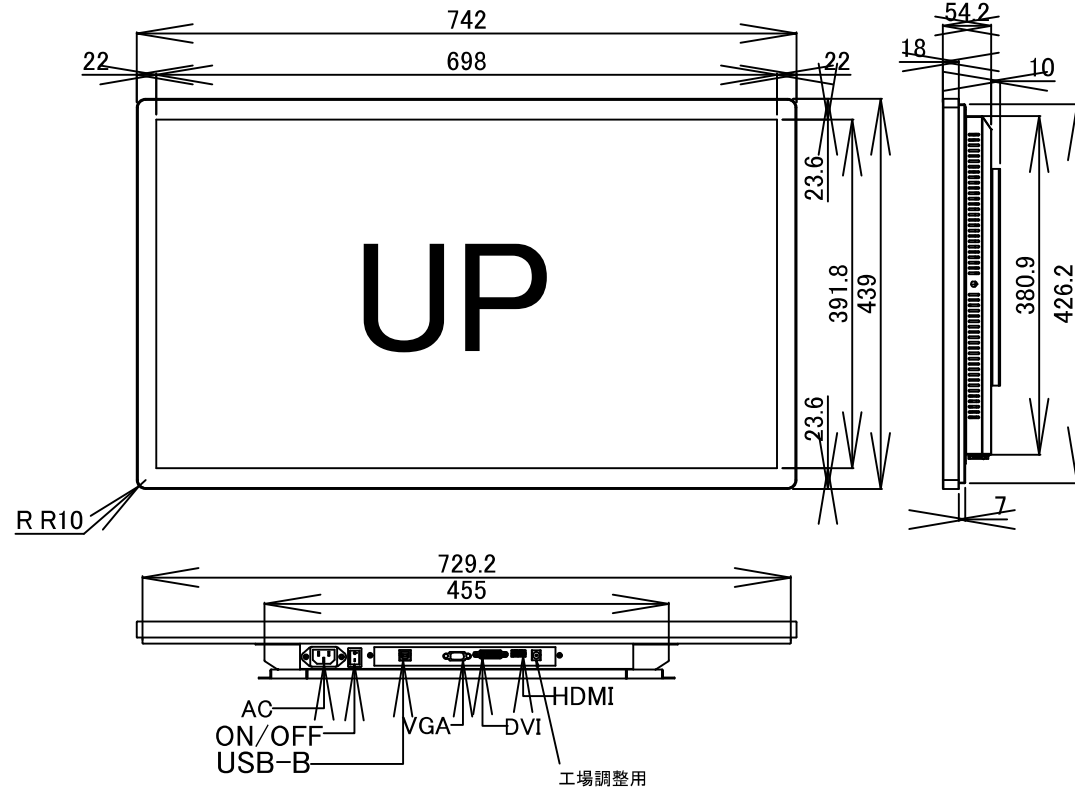



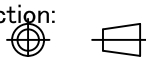
PART NO.:601320014

MODEL:PCT01-32T01

MARK	REVISED CONTENTS	DATE	SIGNATURE
①			



ALL DIMENSIONS ARE IN MILLIMETERS

		PromptControl Technology co.,Ltd			
		External Dimensions		Anti-Glare	<input type="checkbox"/> NO <input checked="" type="checkbox"/> YES
UNIT	DATE	Active Area		DustPro	<input type="checkbox"/> NO <input checked="" type="checkbox"/> YES
mm	2023-11-23	Glass Thickness		AR	<input type="checkbox"/> NO <input checked="" type="checkbox"/> YES
Projection: 		Silk Print Color	BLACK	UV	<input type="checkbox"/> NO <input checked="" type="checkbox"/> YES
SHEET 2 OF 1		Mounting	Vesa <input checked="" type="checkbox"/>	Bracket	<input type="checkbox"/> YES <input checked="" type="checkbox"/> NO
RVE:V1.0	SCALE:1:6	NOTES			
Tolerance: 1.0mm		TOUCH TECHNOLOGY	P-CAP	<input checked="" type="checkbox"/>	SAW
			IR		RESISTIVE
			Non-Touch		
					CHECKED: JACK
					APPROVED: JACK